

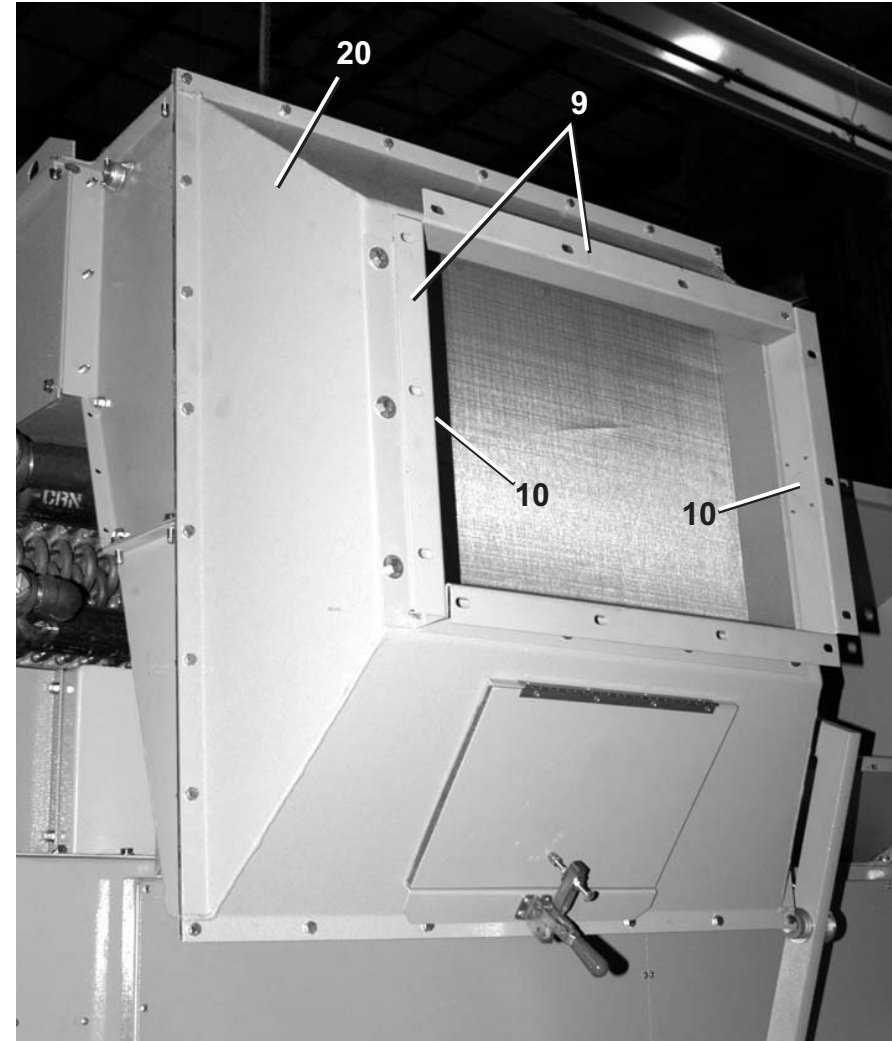
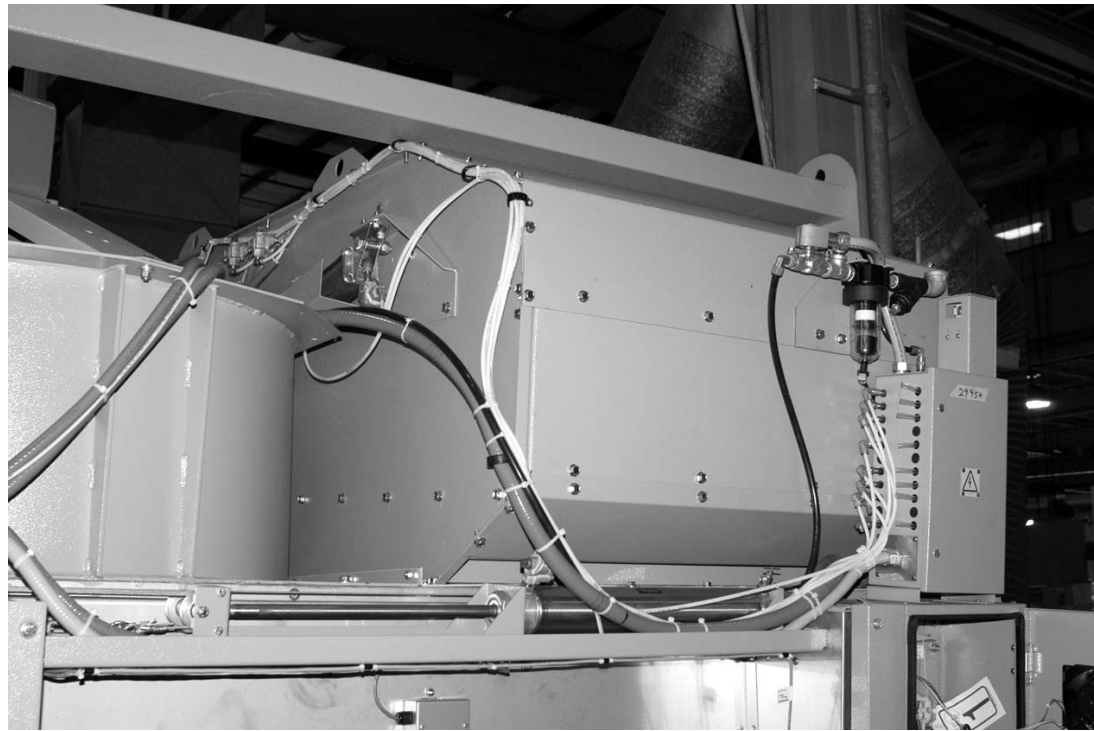
Steam Components
6458TS1R/L 6464TS1R/L 7272TS1R/L

BMP070012/2013346B
(Sheet 1 of 6)

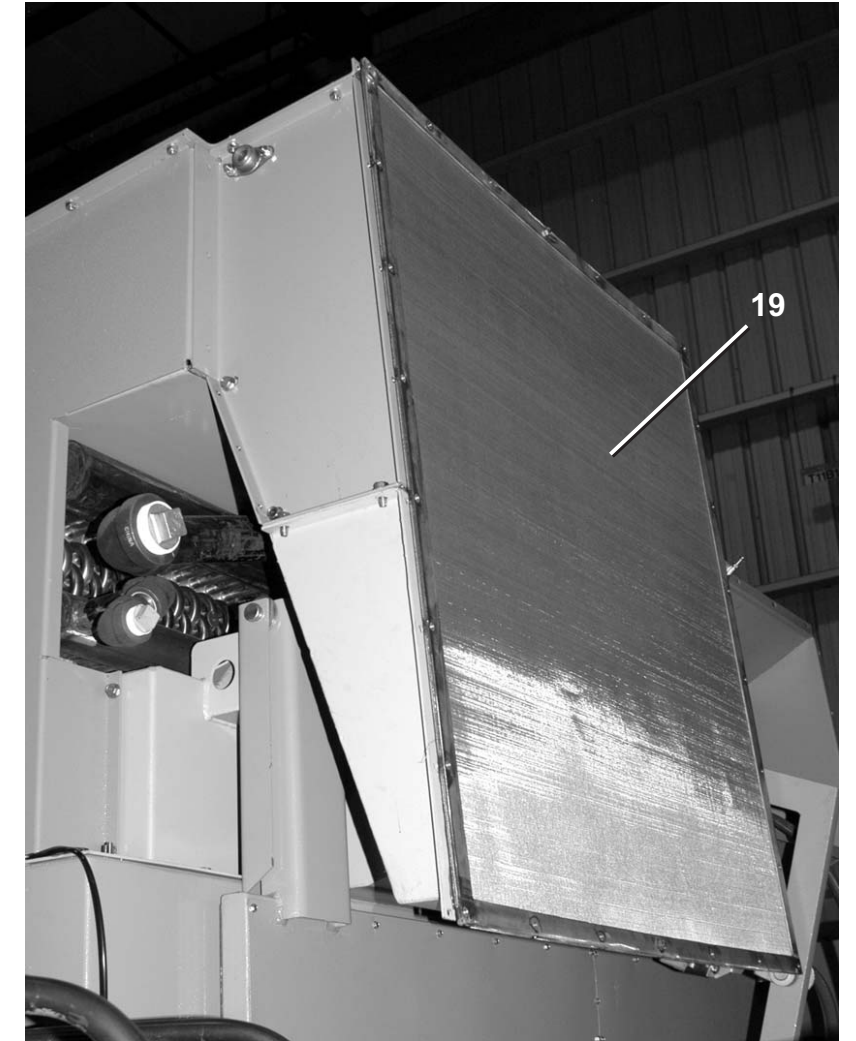


Pellerin Milnor Corporation
P. O. Box 400, Kenner, LA 70063-0400

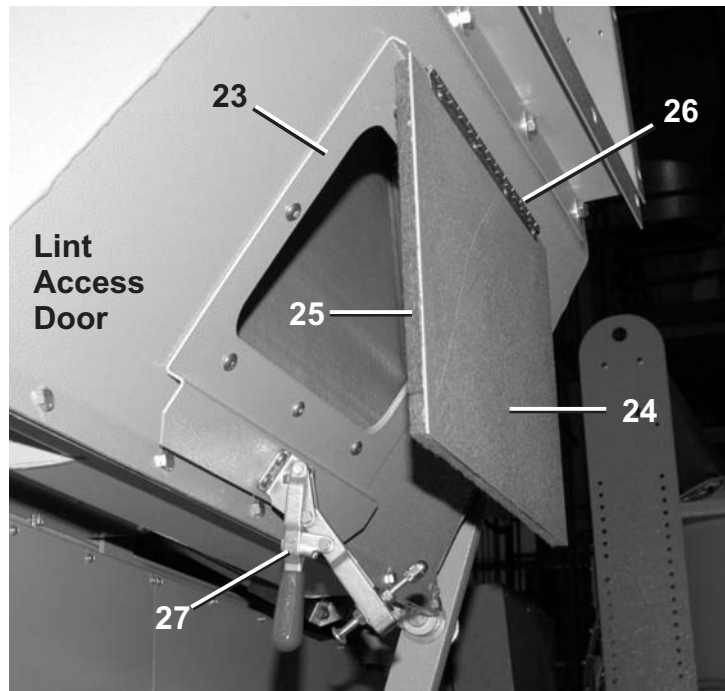
Litho in U.S.A.



Lint Duct To Rear Transition



Lint Screen



Lint
Access
Door

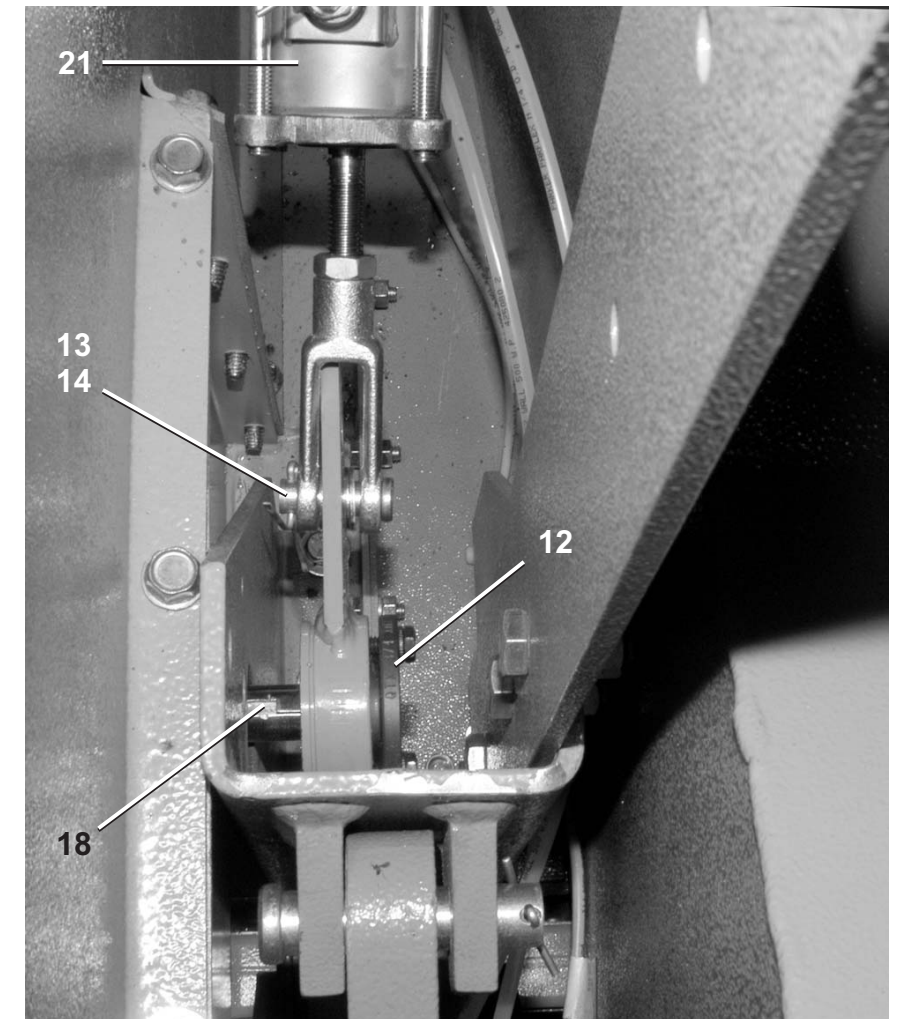
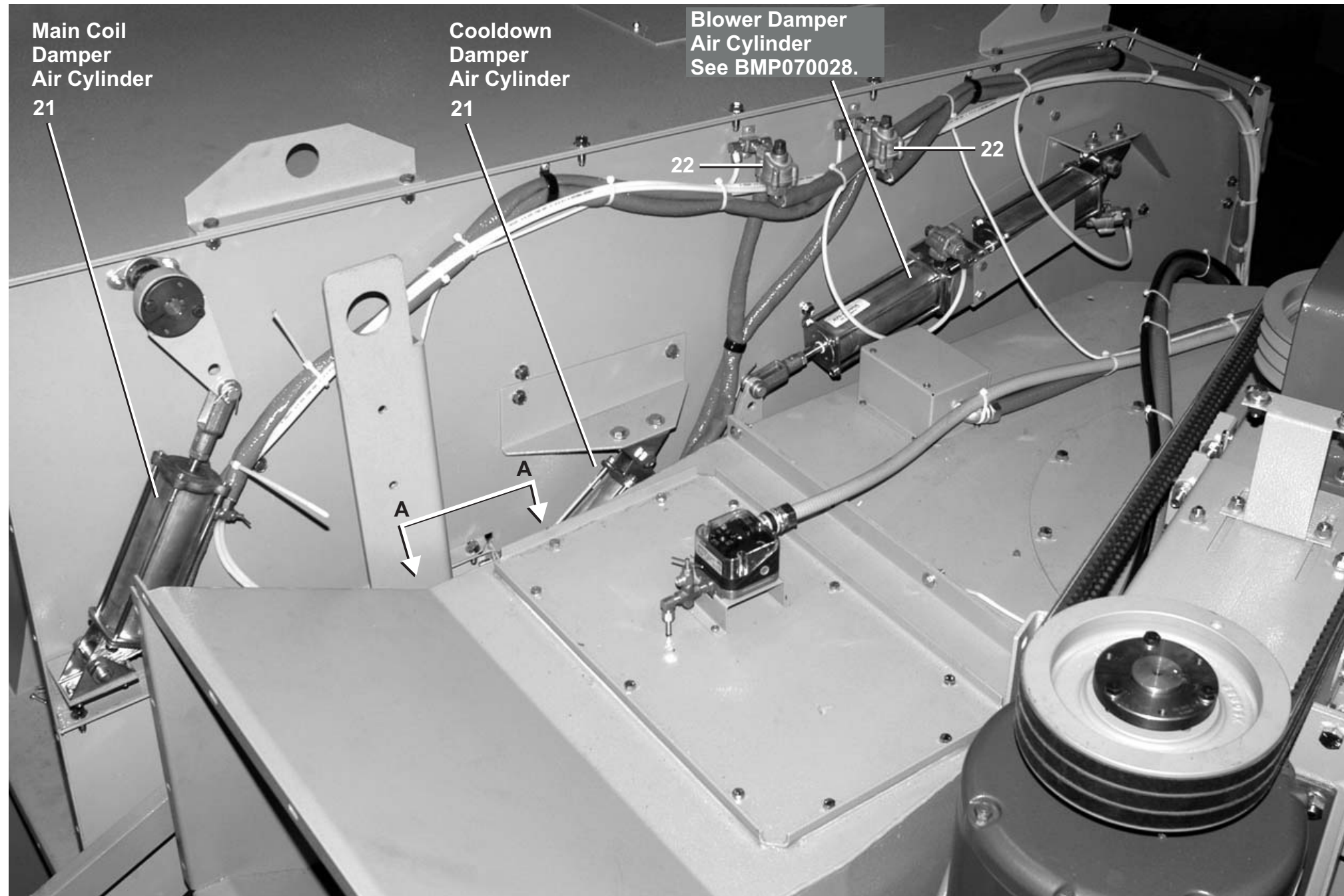
Steam Components
6458TS1R/L 6464TS1R/L 7272TS1R/L

BMP070012/2013346B
(Sheet 2 of 6)



Pellerin Milnor Corporation
P. O. Box 400, Kenner, LA 70063-0400

Litho in U.S.A.



View A-A
Cooldown Damper Air Cylinder

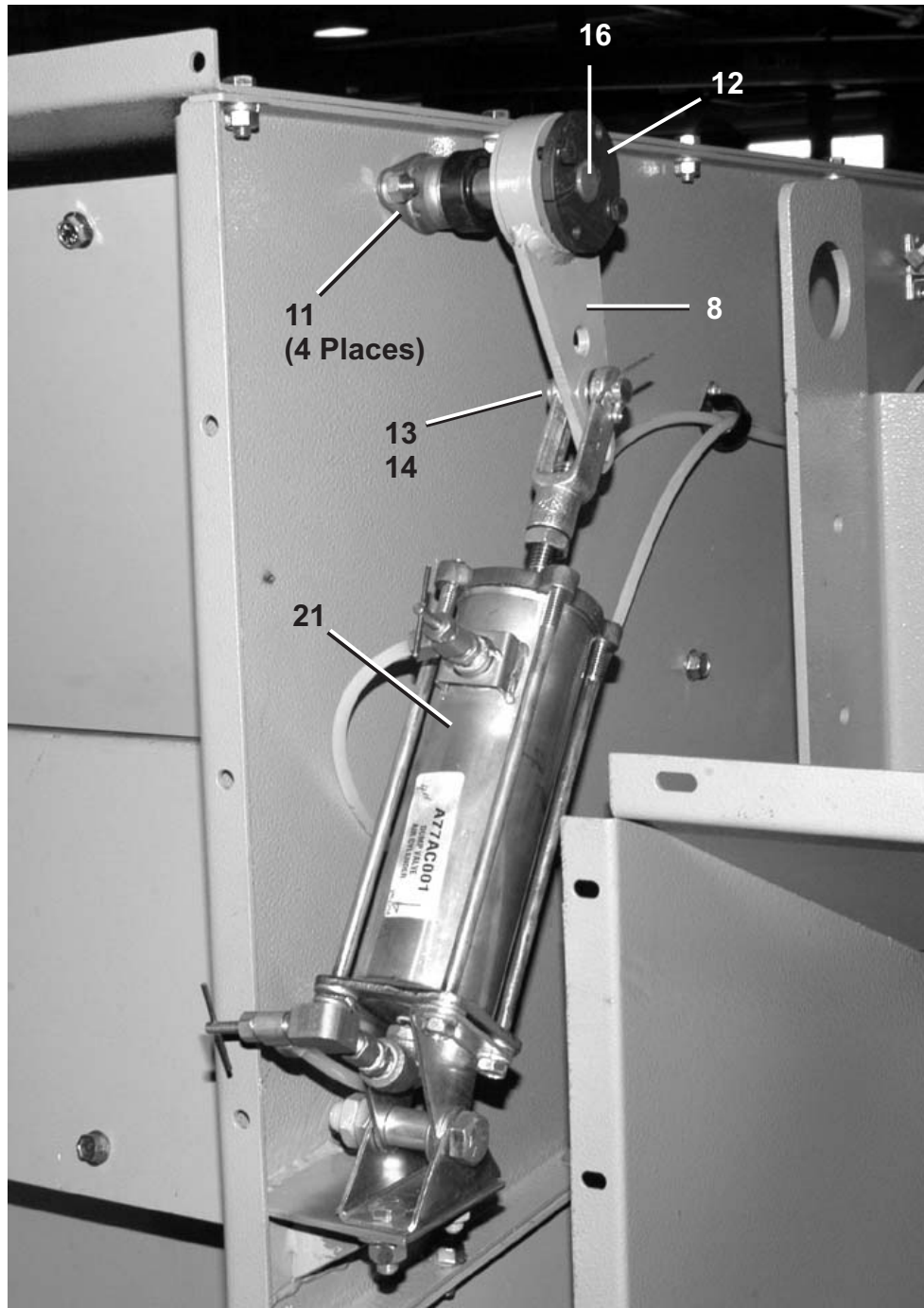
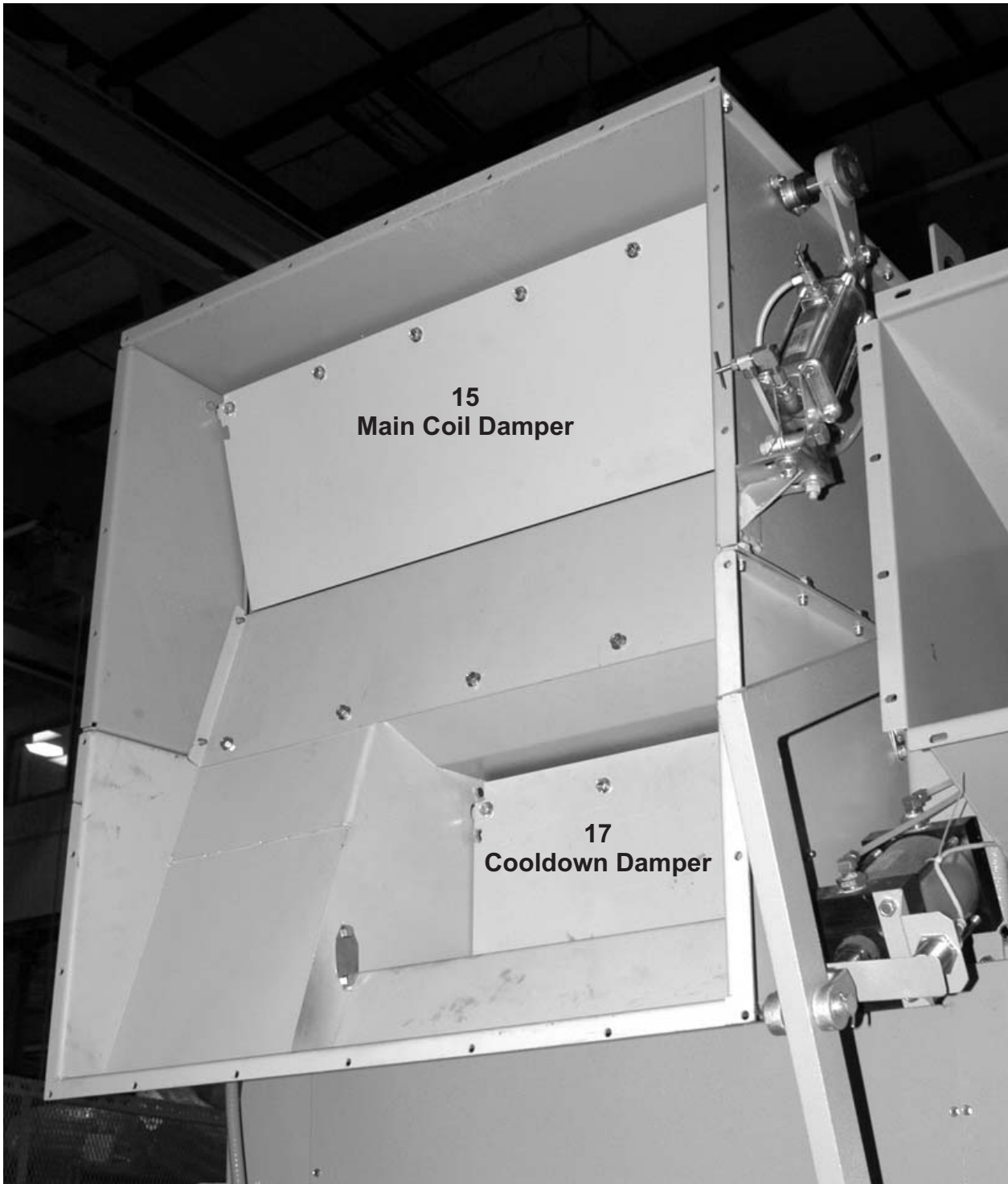
Steam Components
6458TS1R/L 6464TS1R/L 7272TS1R/L

BMP070012/2013346B
(Sheet 3 of 6)



Pellerin Milnor Corporation
P. O. Box 400, Kenner, LA 70063-0400

Litho in U.S.A.



Main Coil Damper Air Cylinder

Steam Components

6458TS1R/L 6464TS1R/L 7272TS1R/L

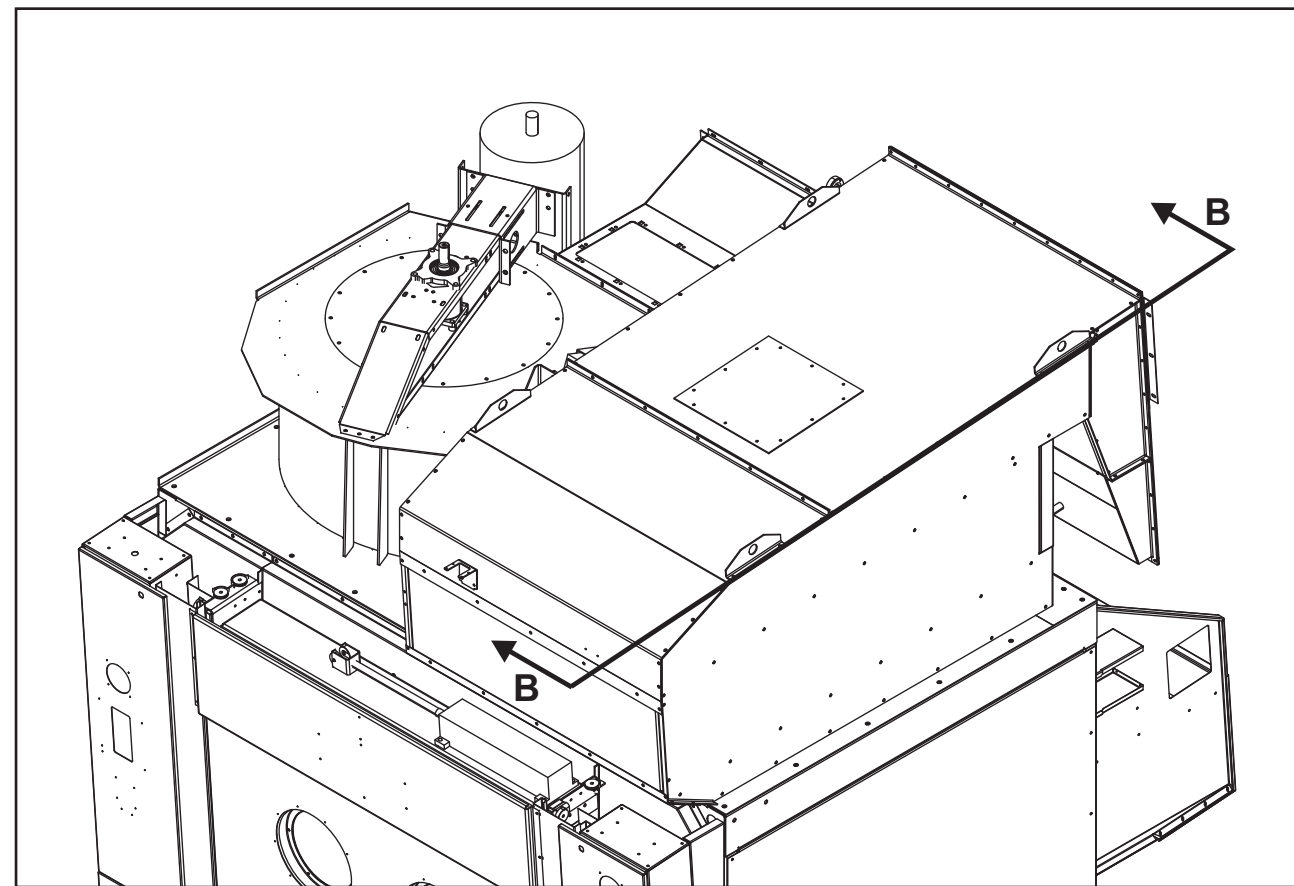
BMP070012/2013346B
(Sheet 4 of 6)



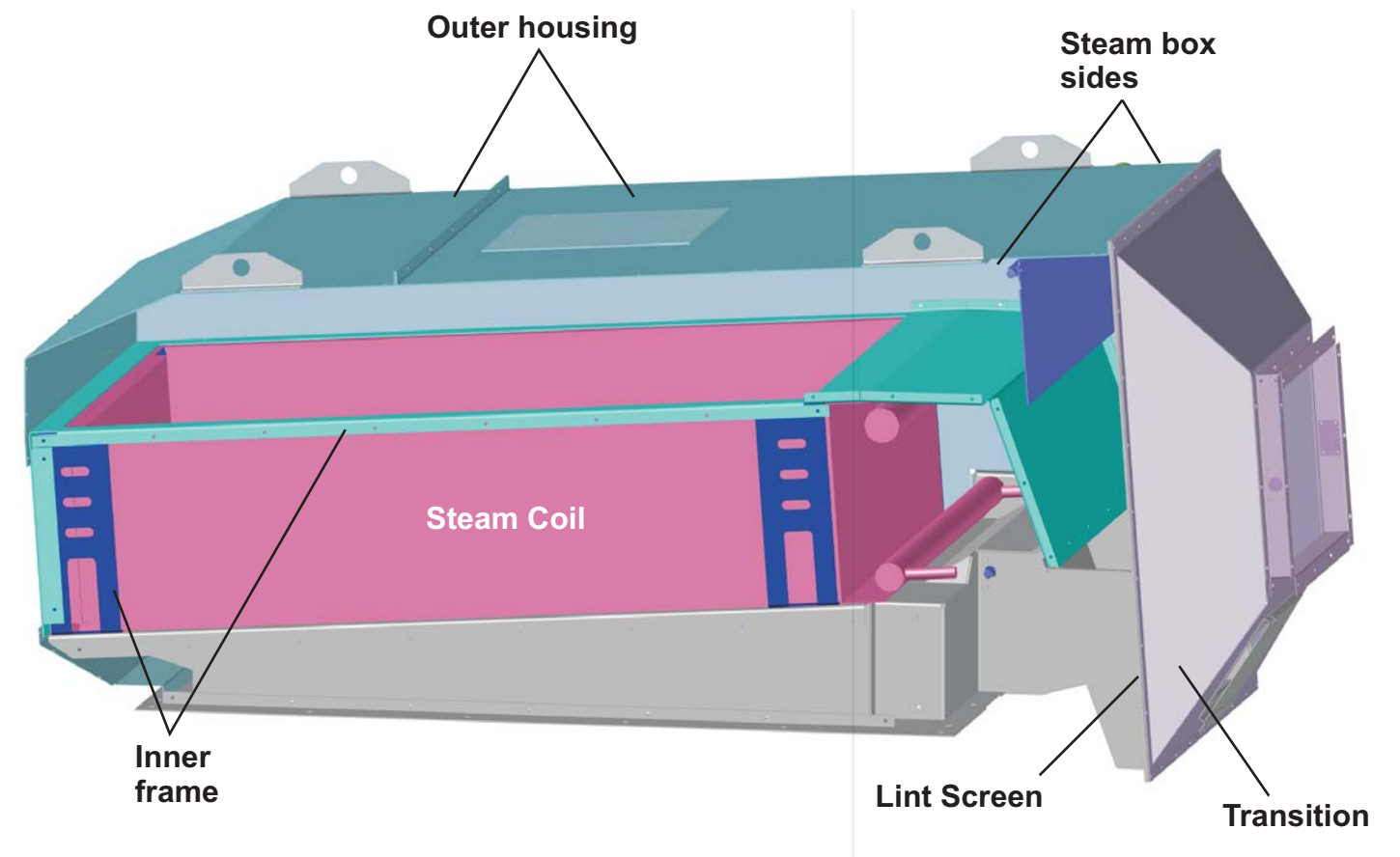
Pellerin Milnor Corporation
P. O. Box 400, Kenner, LA 70063-0400

Litho in U.S.A.

To remove the steam coil, the outer housing, the steam box sides, the inner steam coil frame, the lint screen and transition need to be removed.



Steam Box



Section B-B

Steam Components

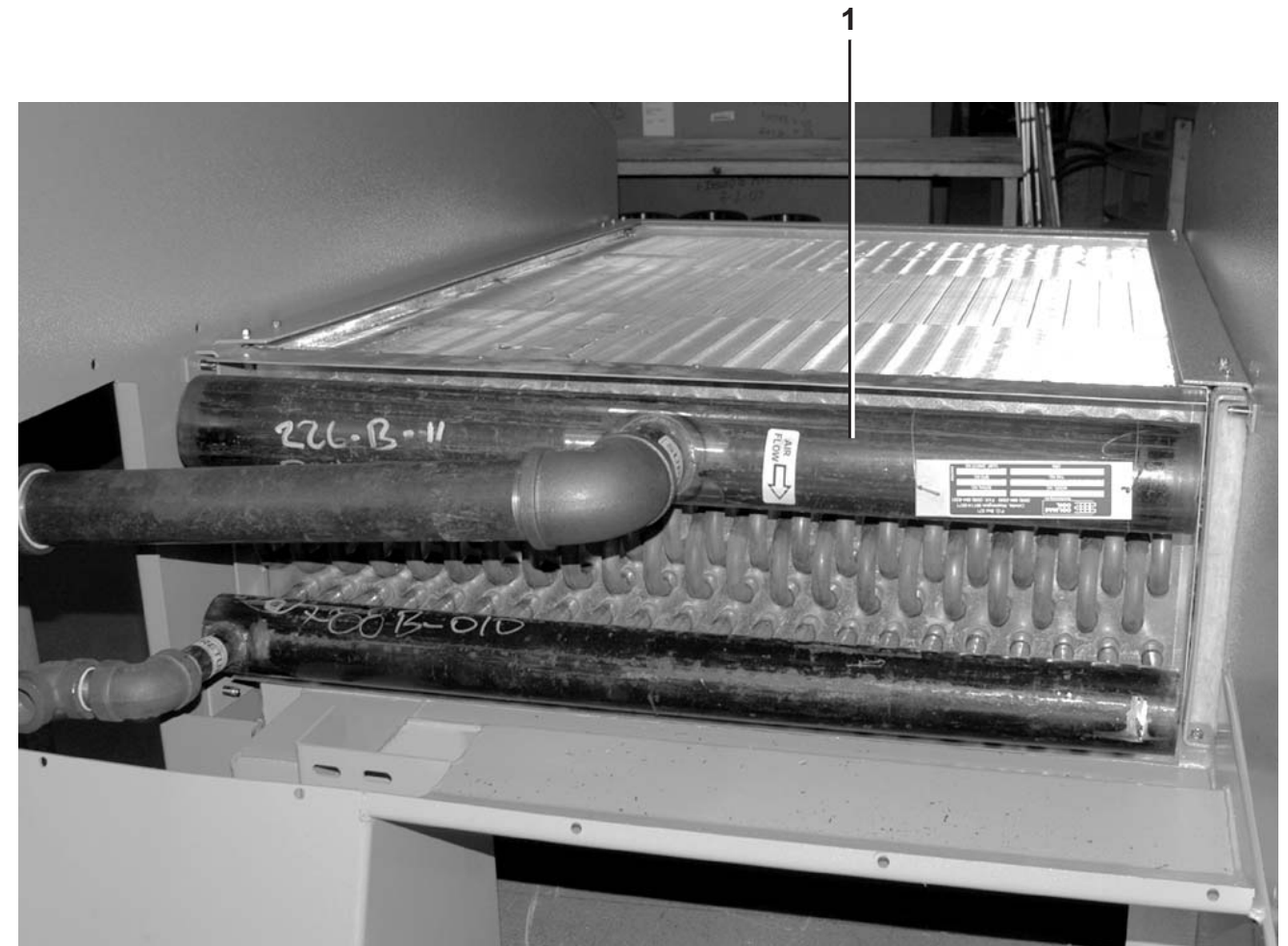
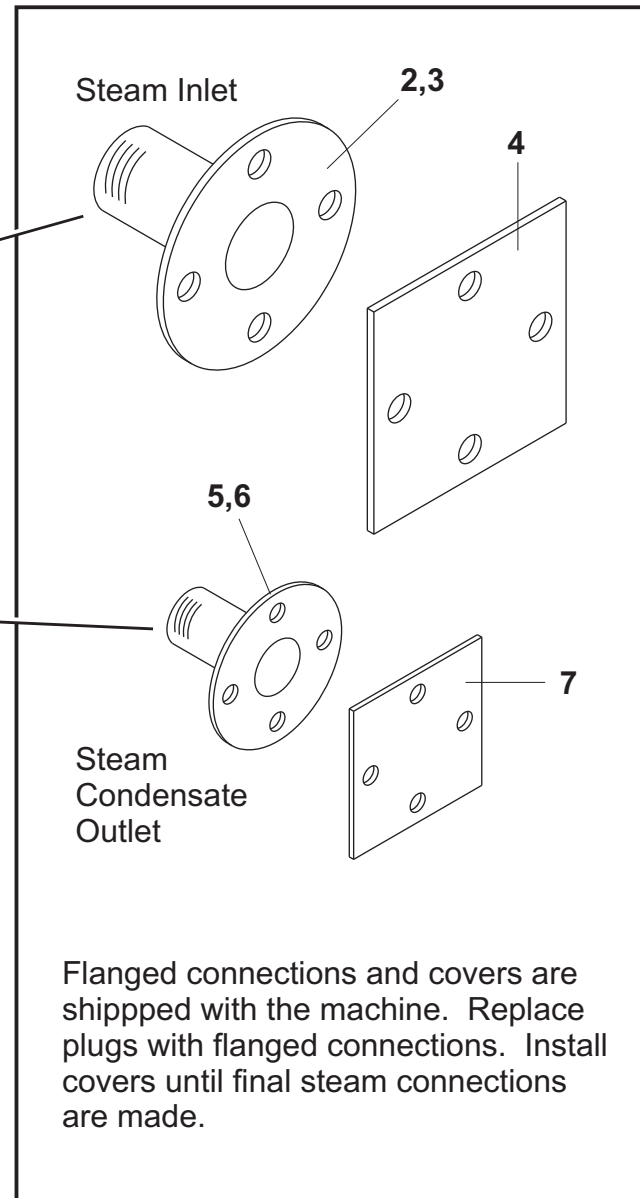
6458TS1R/L 6464TS1R/L 7272TS1R/L

BMP070012/2013346B
(Sheet 5 of 6)



Pellerin Milnor Corporation
P. O. Box 400, Kenner, LA 70063-0400

Litho in U.S.A.





Pellerin Milnor Corporation
P. O. Box 400, Kenner, LA 70063-0400

Litho in U.S.A.

Parts List—Low Profile Steam					Parts List, cont.—Low Profile Steam				
Find the correct assembly first, then find the needed components. The item letters (A, B, C, etc.) assigned to assemblies are referred to in the "Used In" column to identify which components belong to an assembly. The item numbers (1, 2, 3, etc.) assigned to components relate the parts list to the illustration.									
Used In	Item	Part Number	Description	Comments	Used In	Item	Part Number	Description	Comments
ASSEMBLIES									
	A	G77SB002A	6458 LOW STEAM BOX RIGHT		all	18	X7 85739	7272 STEAM BOX COOLDOWN DAMPER SHAFT	
	B	A77LC007A	6458 STM LINT DOOR ASSY		all	19	W7 71742	6458 - STM LINT SCREEN	
COMPONENTS									
all	1	27HS3452FL	STEAMCOIL 34.5"X52" CARB LFT		all	19	W7 85742	7272 STEAM BOX LINT SCREEN WLMT	
all	1	27HS3452FR	STEAMCOIL 34.5"X52" CARB RGT		all	20	W7 71730A	6458 STM- INLET WLMT RT	
all	1	27HS3452SL	STEAMCOIL 34.5"X52" SS LEFT		all	20	W7 71730A	6458 STM- INLET WLMT RT	
all	1	27HS3452SR	STEAMCOIL 34.5X52 STAINLESS RT		all	20	W7 85730A	7272 STEAM BOX INLET WLMT	
all	1	27HS4566FR	STEAMCOIL 45"X66" CARB RGT		all	21	A77AC001	6458 STEAM 4" LARGE DAMP CYL	
all	2	51KE2ANA	NPTFLANGE 2"CS 150#RAISED FACE		all	22	96M055	DELTROL QUICK EXHAUST VLV.1/4"	
all	3	51KE2ANGAK	2X4 STEAM FLANGE GASKET		all	23	07 71750	LINT CLEAN OUT MOUNT	
all	4	07 40609	STEAM COIL UPPER PLUG		all	24	07 71751	6458 STM LINT CLEANOUT CVR	
all	5	51KE1ANA	NPTFLANGE 1"CS, 150#RAISEDFACE		all	25	27A682	FELT 3/8"THK X 1"W SAE F-7	
all	6	51KE2ANAG	GSKT-1"FLANGE-1 5/16X 2 5/8		all	26	X2 18682	HINGE=SOAP CHUTE LID-11 7/8"	
all	7	07 40608	STEAM COIL INLET PLUG		all	27	27A700	TOGGLECLAMP GOODHAND E=1	
all	8	W7 71098	6458 BLOWER DAMPER ARM WELD						
all	9	07 71116	6458 FENWAL DUCT SIDE						
all	10	07 71115A	6458 FIRBOX FENWAL HOLE CVR						
all	11	54E015	FLGMTBRG 3/4 BORE BRZ #FLB12						
all	12	56Q0PH	3/4" BUSH VPUL TYPE H,D, OR QT						
all	13	17A040	CLEVIS PIN 1/2"X1+3/8" DRILLED						
all	14	15H051	STDCOTTERPIN 1/8X1+1/2ZINCPL						
all	14	07 71735	6458 STM- MAIN COIL DAMPER						
all	15	07 71735	6458 STM- MAIN COIL DAMPER						
all	15	07 85735	7272 STEAM BOX MAIN DAMPER						
all	16	X7 71738	6458 STM- SHAFT COIL DAMPER						
all	16	X7 71738	6458 STM- SHAFT COIL DAMPER						
all	17	07 71736	6458 STM- COOLDOWN DAMPER						
all	17	07 71736	6458 STM- COOLDOWN DAMPER						
all	17	07 85736	7272 STEAM BOX COOLDOWN DAMPER						
all	18	X7 71739	6458 STM- SHAFT COOL-DOWN						
all	18	X7 71739	6458 STM- SHAFT COOL-DOWN						